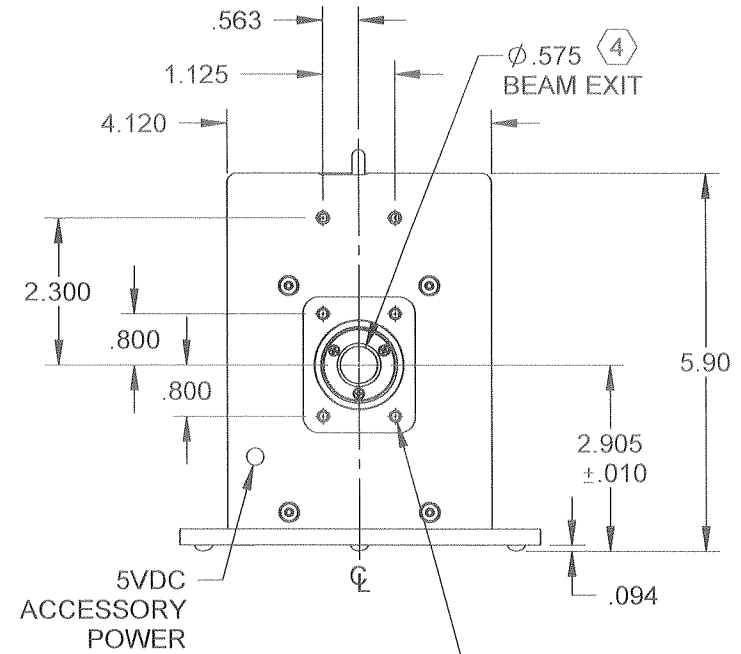
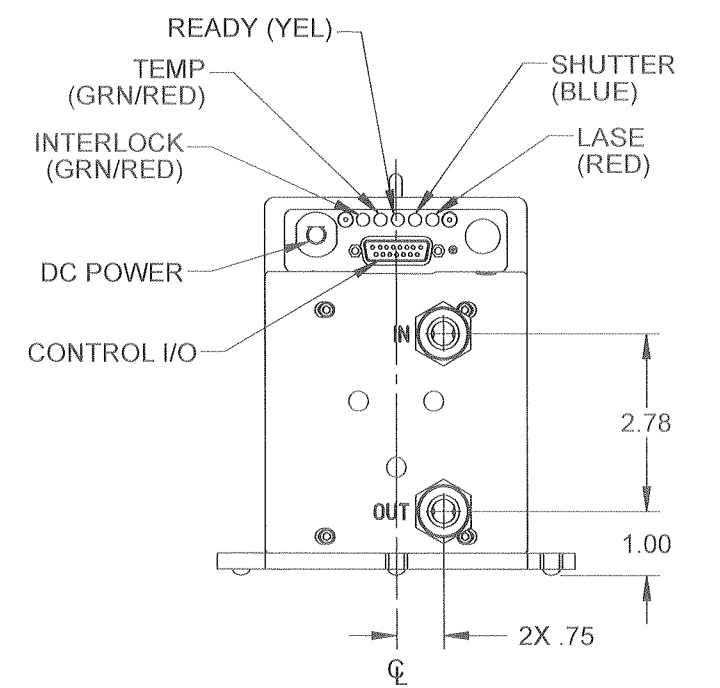
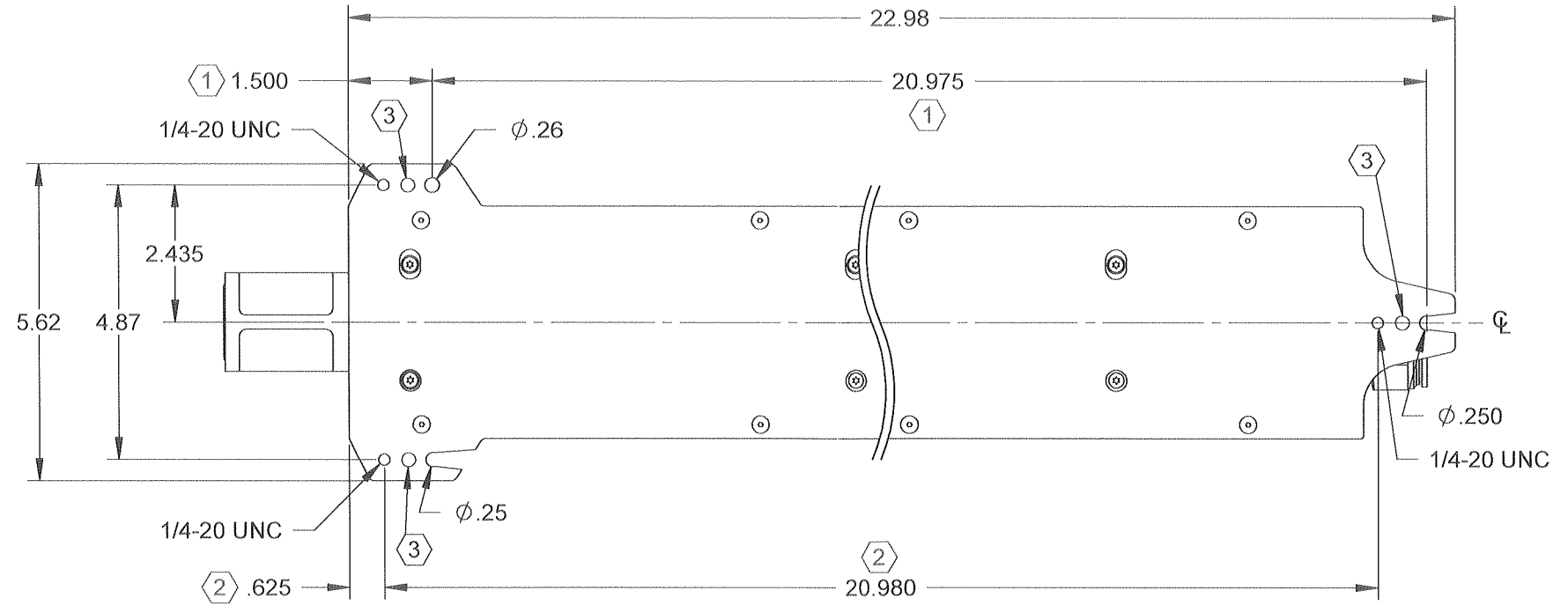
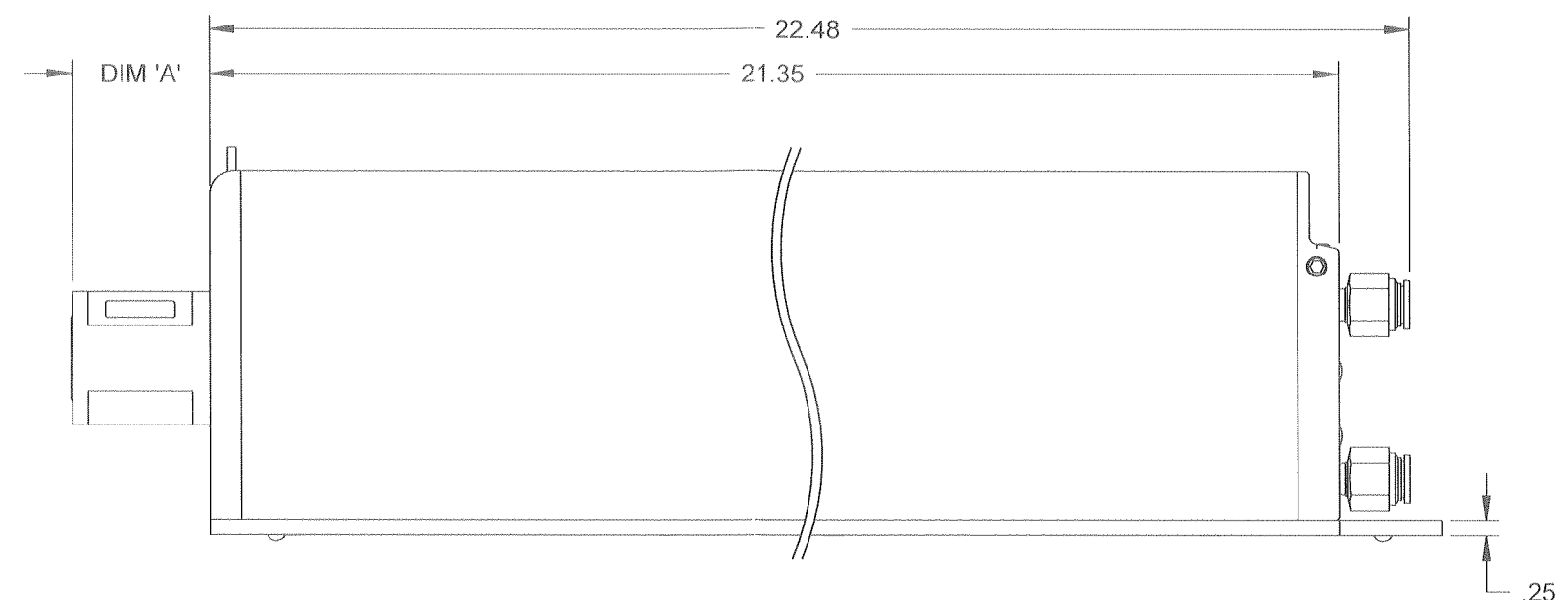


REV	ECO	DATE	DESCRIPTION	DB
A	5011	10-Jun-14	RELEASE TO PRODUCTION	DMD
B	5079	5-Feb-15	UPDATE DIM 'A'	DMD



6X 8-32 UNC ACCESSORY MOUNTING HOLES. SCREWS SHOULD NOT EXTEND MORE THAN .19 INTO FACE PLATE



BEAM EXPANDER	DIM 'A'
3X	2.195
4X	2.405
5X	2.513

- NOTES:
- ① THIS HOLE PATTERN USED WHEN TOP ACCESS FASTENING DESIRED.
 - ② THIS HOLE PATTERN USED WHEN BOTTOM ACCESS FASTENING DESIRED.
 - ③ HARDENED BALL MOUNTING POINT (ϕ .250 STEEL BALL).
 - ④ BEAM PATH MAY NOT BE CENTERED OR PERPENDICULAR TO FACEPLATE APERTURE.

TOLERANCES UNLESS NOTED:	
.x = ± .	ANGLE = ± .°
.xx = ± .	
.xxx = ± .	
MATERIAL:	
FINISH:	

PROPRIETARY
THIS DRAWING IS PROPRIETARY TO SYNRAD INC. AND SHALL NOT BE USED OR DISCLOSED IN WHOLE OR IN PART WITHOUT WRITTEN PERMISSION OF SYNRAD INC.

DESCRIPTION:
OUTLINE & MOUNTING, Ti100P W/BE

SYNRAD SYNRAD INC.
4600 Campus Place
Mukilteo, WA 98275
Phone: (425)349-3500
Fax: (425)349-3667

DRAWN BY: D. DUVAL	DATE: 10-Jun-14	DWG/FILE NUMBER: 300-19847-04
QTY CHK BY: <i>JAS</i>	DATE: 2-17-15	PART NUMBER: 300-19847-04
ENG CHK BY: <i>CMN</i>	DATE: 2-26-15	ENG: .
APPROVED BY: <i>ZWA</i>	DATE: 13 Feb 15	UNITS: Inches

SIZE: B CATEGORY: . REV. B
SHEET 1 of 1 FINISH CLASS: .