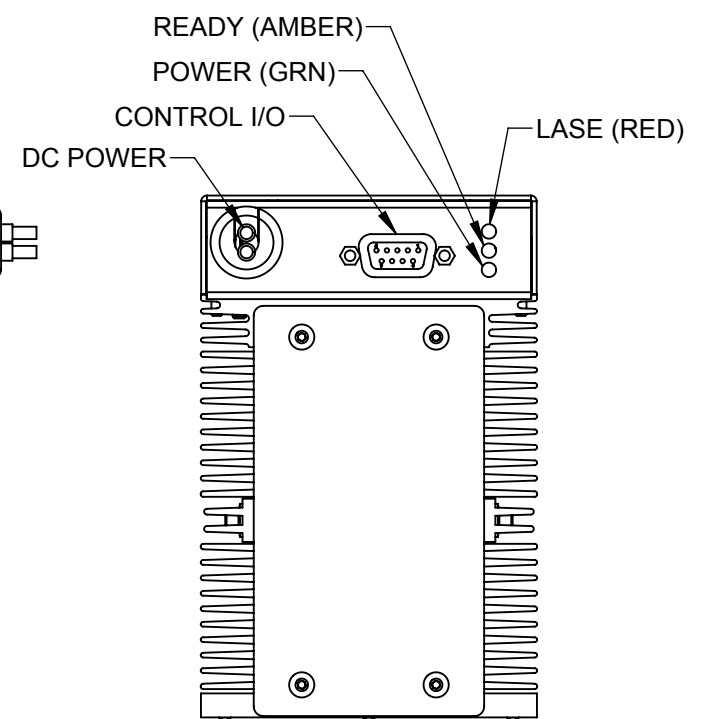
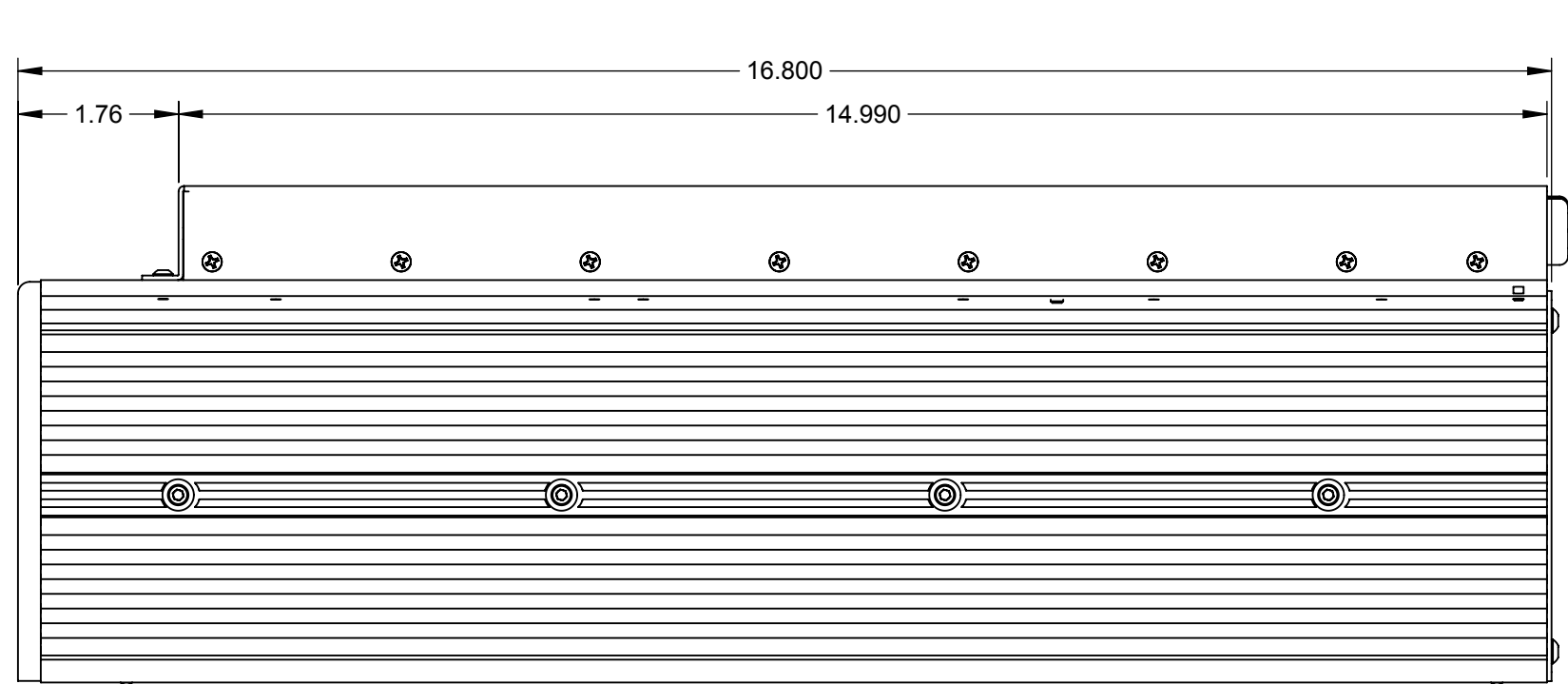
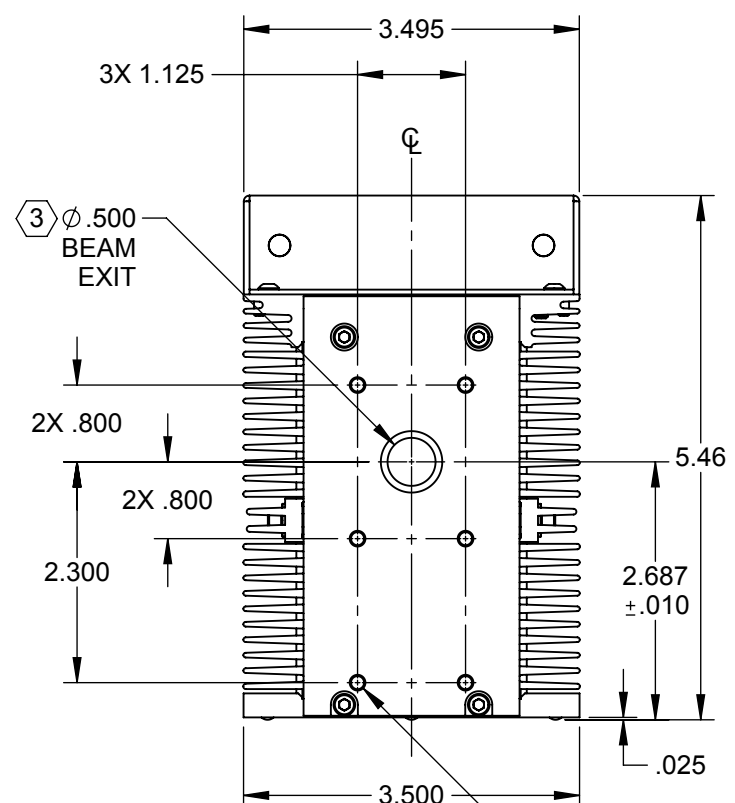
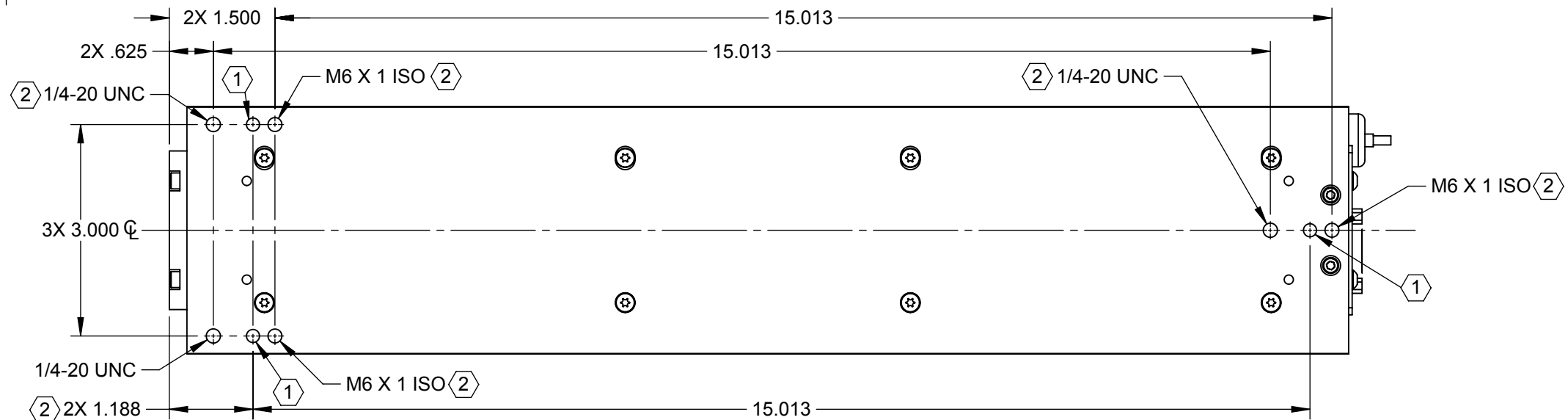



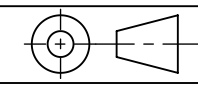
| REV | DA | ECN | ECO | DATE | DESCRIPTION | DB |
|-----|----|-----|-----|-----------|----------------|-----|
| R1 | . | . | . | 28-Nov-16 | INITIAL DESIGN | DMD |
| . | . | . | . | . | . | . |
| . | . | . | . | . | . | . |



6X 8-32 UNC ACCESSORY MOUNTING HOLES. SCREWS SHOULD NOT EXTEND MORE THAN .19 INTO FACE PLATE



- NOTES:
- ① HARDENED BALL MOUNTING POINT, 3X (Ø.1875 BALL BEARING).
 - ② THIS MOUNTING HOLE PATTERN USED FOR BOTTOM ACCESS FASTENING.
 - ③ BEAM PATH MAY NOT BE CENTERED OR PERPENDICULAR TO FACE PLATE APERTURE.

| | | | | |
|--------------------------|---------------|--|-----------------|--|
| TOLERANCES UNLESS NOTED: | | PROPRIETARY: THIS DRAWING IS PROPRIETARY TO SYNRAD AND SHALL NOT BE USED OR DISCLOSED IN WHOLE OR IN PART WITHOUT WRITTEN PERMISSION OF SYNRAD | |  SYNRAD 4600 Campus Place Mukilteo, WA 98275 Phone: (425)349-3500 Fax: (425)349-3667 Synrad, a Novanta Company. |
| .x = ± .1 | ANGLE = ± .5° | THIRD ANGLE PROJECTION | | |
| .xx = ± .01 | |  | | |
| .xxx = ± .005 | | | | |
| MATERIAL: | | DESCRIPTION: | | |
| . | | OUTLINE & MOUNTING, Vi40, AIR-COOLED, OEM | | |
| FINISH: | | DRAWN BY: D. DUVAL | DATE: 28-Nov-16 | DWG/FILE NUMBER: 300-21129-01 |
| . | | QTY CHK BY: | DATE: | PART NUMBER: 300-21129-01 |
| . | | ENG CHK BY: | DATE: | ENG: . SIZE: B CATEGORY: . |
| . | | APPROVED BY: | DATE: | UNITS: Inches SHEET 1 of 1 FINISH CLASS: . |
| | | | | REV. R1 |